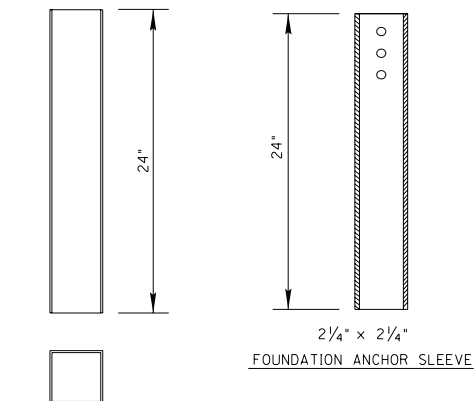
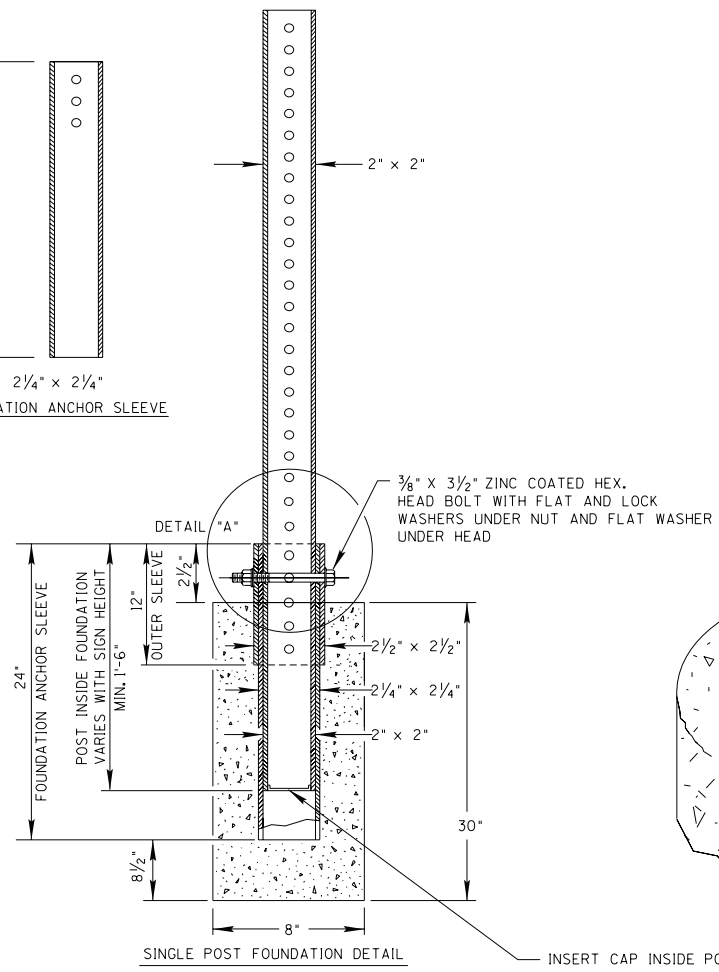


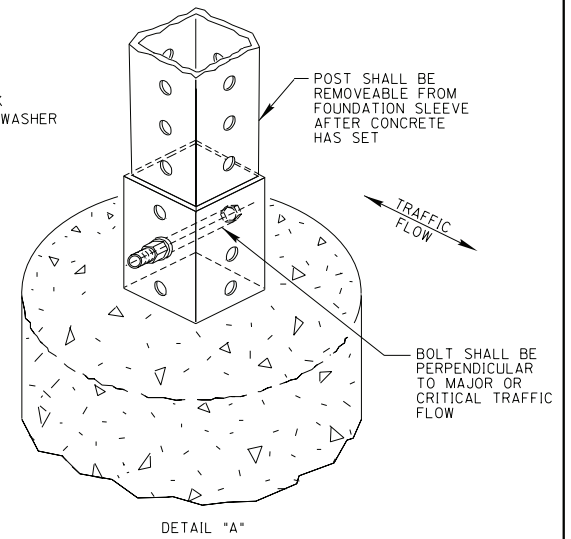
SINGLE POST PERMISSIBLE FIELD SPLICE
(NOT ALLOWED ON TELESCOPING POSTS)



2 1/4" x 2 1/4"
(INSIDE DIMENSION)
YELLOW PLASTIC SLEEVE
TO BE INSTALLED AT
BASE OF POST



SINGLE POST FOUNDATION DETAIL



NOTES:

1. ALL DIMENSIONS ARE IN INCHES, EXCEPT AS NOTED.
2. ALL SQUARE PERFORATED POSTS SHALL BE 2" x 2".
3. FOR ESTIMATING PURPOSES, CONCRETE QUANTITY PER POST IS 1.0 CU/FT.
4. FOUNDATION ANCHOR SLEEVE TO BE SOLID ON ALL FOUR SIDES EXCEPT FOR THREE HOLES AT TOP OF SLEEVES SHOWN IN DETAIL "A".
5. USE GRADE # 2, ZINC COATED, 18 NC THREAD, 3" x 5/16" BOLT WITH FLAT WASHER UNDER NUT AND FLAT WASHER UNDER HEAD TO ATTACH SIGN TO BRACKET.
6. A YELLOW PLASTIC SLEEVE SHALL BE INSTALLED AT THE BASE OF ALL SIGN POSTS.

NOTES:

1. IF ANY POST SECTION IS SHORTER THAN THE PANEL HEIGHT, THE FIELD SPLICE SHALL BE BEHIND THE PANEL.
2. FIELD SPLICES ARE NOT PERMITTED ON TELESCOPING POSTS.

REVISED DATE	12/2007
DATE:	12/2006
DETAIL NO.	2058

MARICOPA COUNTY DEPARTMENT OF TRANSPORTATION
STANDARD DETAIL

SQUARE PERFORATED TUBE SIGN POST
FOUNDATION & SPLICE DETAILS