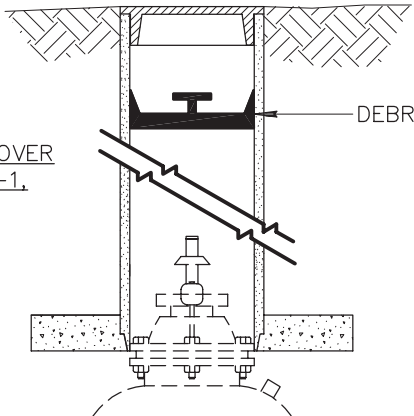


VALVE BOX AND COVER  
FOR DETAIL 391-1,  
TYPE A

DEBRIS CAP

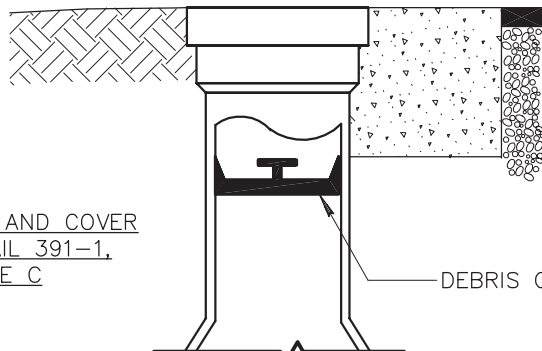
TYPE 'A'



VALVE BOX AND COVER  
FOR DETAIL 391-1,  
TYPE B

DEBRIS CAP

TYPE 'B'



VALVE BOX AND COVER  
FOR DETAIL 391-1,  
TYPE C

DEBRIS CAP

TYPE 'C'

### NOTES:

1. THE DEBRIS CAP SHALL BE DESIGNED AND INSTALLED TO PREVENT DEBRIS SUCH AS DIRT, DUST SAND, ETC., FROM PASSING AROUND THE CAP AND DOWN INTO THE VALVE HOUSING. THE CAP SHALL BE HELD IN PLACE BY A MECHANISM WHICH WILL NOT DAMAGE THE VALVE HOUSING. ONCE INSTALLED THE CAP MUST WITHSTAND, WITHOUT SLIPAGE, A MINIMUM VERTICAL FORCE OF 50 POUNDS AT A LOADING RATE OF 1 INCH/MINUTE.
2. THE CAP SHALL BE MANUFACTURED OF CORROSIVE RESISTANT MATERIALS.
3. DEBRIS CAP SHALL BE INSTALLED AS CLOSE UNDER THE CAST IRON COVER WITHOUT INTERFERING WITH COVER OPERATION.
4. THE CAP SHALL BE CAPABLE OF SECURELY HOLDING A STANDARD LOCATING COIL, "SCOTCH MARK" 4 DISK MARKER BY 3M OR EQUAL.
5. THE CAP SHALL BE CONSTRUCTED TO ALLOW THE DEVICE TO BE SECURED BY A LOCK. THE LOCK (PAD, BARREL, ETC.) SHALL BE SUPPLIED BY THE AGENCY.
6. THE HANDLE AND/OR BODY OF THE CAP SHALL BE INTEGRALLY COLORED IF REQUIRED BY THE AGENCY. IF REQUIRED, THE COLOR SHALL CONFORM TO THE ONE CALL LOCATING SERVICE (BLUE STAKE) COLORS (ARS 40-360.21).
7. THE CAP SHALL BE INSTALLED IN ALL VALVE HOUSINGS AS REQUIRED BY THE CONTRACT DOCUMENTS OR BY THE AGENCY'S POLICIES.
8. THE DEBRIS CAP SHALL BE MANUFACTURED BY SW SERVICES, INC. PHOENIX, ARIZONA OR EQUAL.

DETAIL NO.

392



MARICOPA  
ASSOCIATION of  
GOVERNMENTS

STANDARD DETAIL  
ENGLISH

DEBRIS CAP INSTALLATION

REVISED

01-01-2001

DETAIL NO.

392