

# DC825 - ADJUSTABLE

DC825 fits 8" nominal ID

DC825 is designed in it's standard configuration, to fit concrete, clay, steel and PVC pipe with a nominal 8" ID but can be adjusted to fit slightly larger ID if required.

## INSTALLATION

Be sure handle is in full counter-clockwise (retracted) position, then place DEBRIS CAP in riser (pipe, valve box etc) as close to the top as possible without interfering with installation of the lid. (Figure 1)

Rotate handle 90 degrees clockwise until you feel the cam 'lock' into position.

## ADJUSTMENTS

### RUBBER SKIRT

The rubber skirt of the DC825 is designed to fit into a nominal 8" ID. By 'rotating' and 'rolling' your wrist before locking into place, you can achieve the best fit of rubber skirt against wall of the riser.

If your application is a slightly *smaller* ID and the skirt wrinkles up or seems too large, you may simply trim off part of the skirt. Trim along the score marks. (Figure 2)

### NOTE:

- A) **DO NOT TRIM TOO MUCH OF THE SKIRT OR THE CAP COULD SLIP INTO THE RISER IF DROPPED. SKIRT SHOULD FIT FIRMLY AGAINST THE WALL.**
- B) **BE SURE NOT TO TRIM OFF THE 'TABS' IF THEY MAY BE NEEDED TO ASSIST REMOVAL AROUND LID-SEAT.**

### CONTACT PADS

If the fit is too tight or too loose, simply screw the contact pads in or out as needed. (Figure 3)

## REMOVAL

### TABS

Rotate handle 90 degrees counter-clockwise and 'wiggle' DEBRIS CAP to loosen it from the riser. 'Tabs' on the rubber skirt are not to be used to *pull* the DEBRIS CAP out but are to *assist you* if the valve box has 'cleats' or other obstacles around which you remove the DEBRIS CAP.

## LOCKING DEVICE (LD-8)

To install LD-8 locking device onto the DC825 DEBRIS CAP, simply remove the rubber insert. (Figure 4) drop the device into the hole and press down on the device with your thumb until it 'snaps' into position under the handle.

When handle is rotated in full cam engagement, the hole in the handle and locking device will line up to accept a standard short-neck padlock. (Figure 5)

## BARREL LOCK

Should you decide to use a barrel lock, the device is designed to accept a standard barrel lock (Figure 6) and lock (Figure 7).

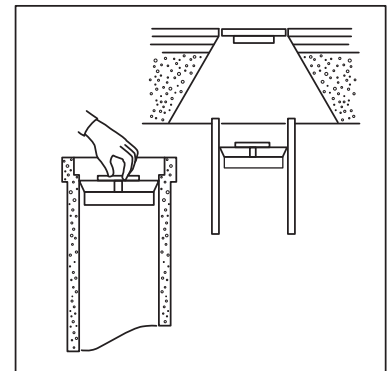


Figure 1



Figure 2

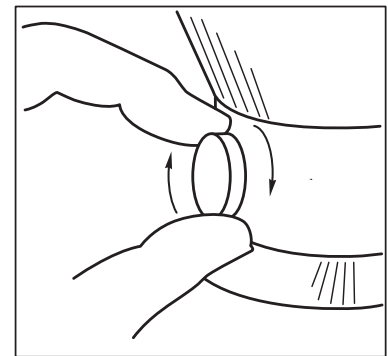


Figure 3

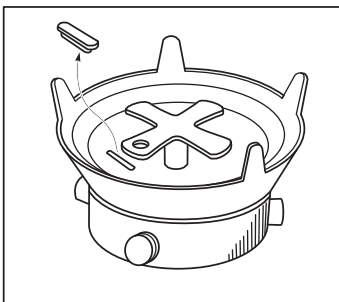


Figure 4

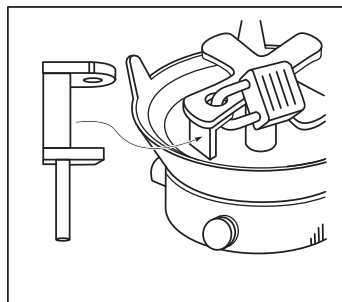


Figure 5

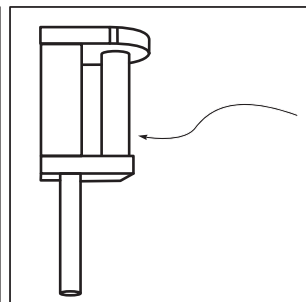


Figure 6

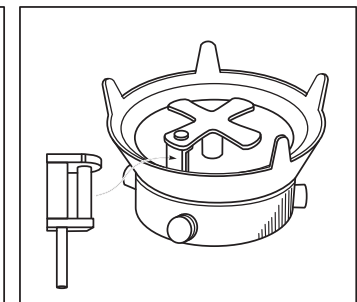


Figure 7